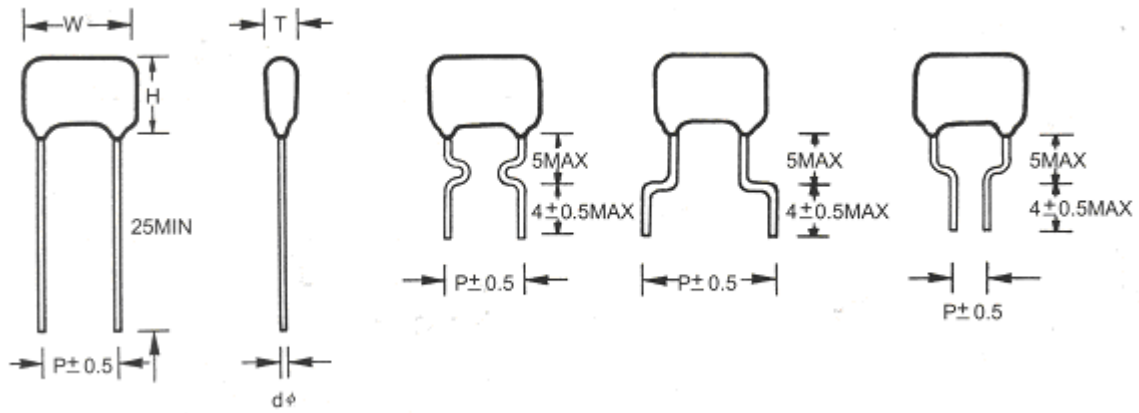
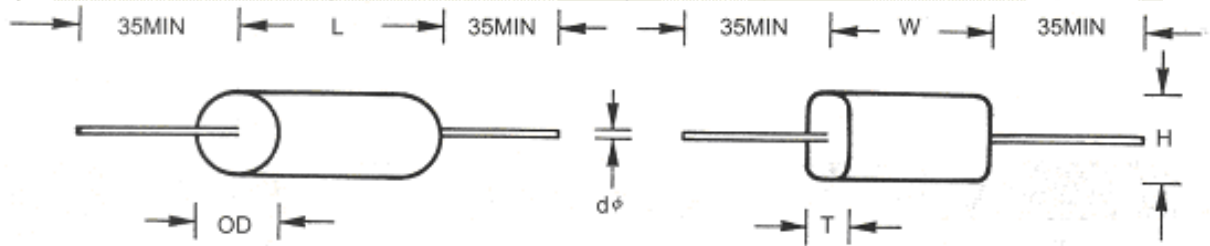


DIAGRAM

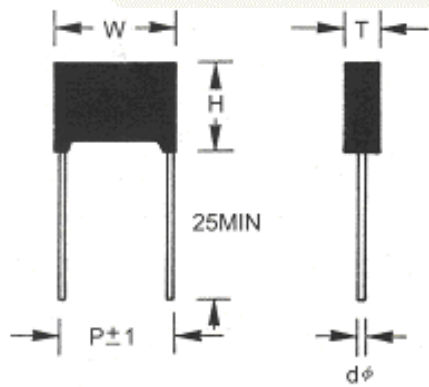
Radial (Non-Inductive)



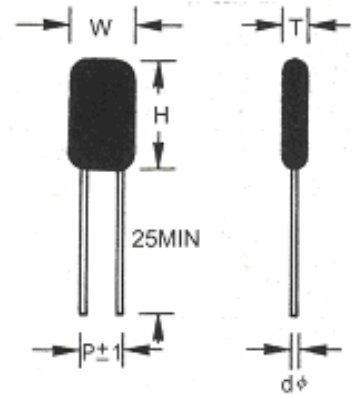
Axial (Non-Inductive)



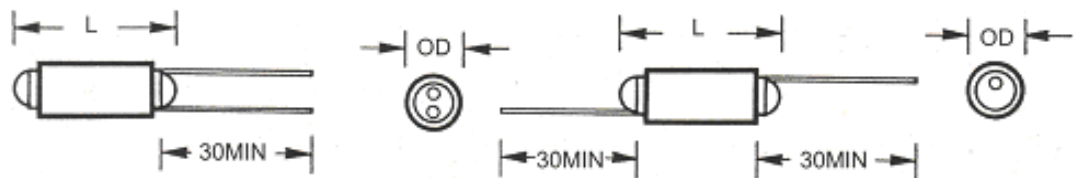
Box



Pei

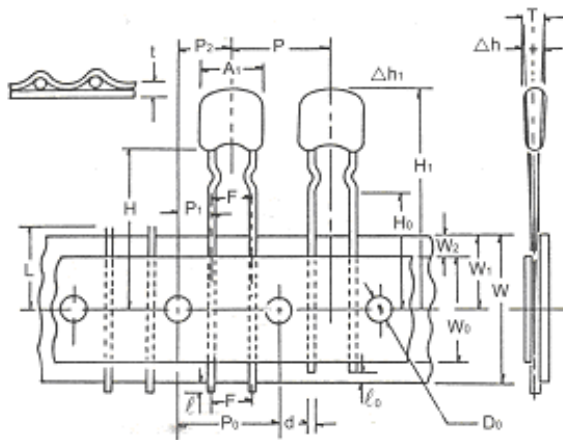


Ps



LEAD TAPING & PACKING OF RADIAL CAPACITOR

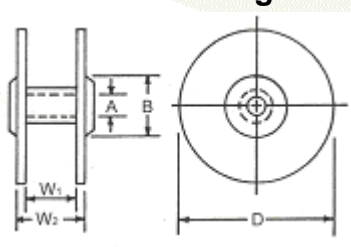
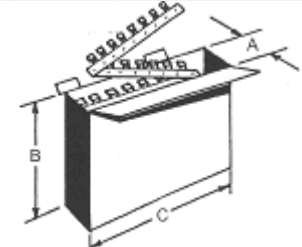
■ Taping on reels or ammo packing for automatic insertion



| Letter | Dimension | Letter | Dimension |
|--------|-----------------------------|--------|-------------------|
| A | Under 10.0 | W0 | Above 12.5 |
| B | Ref. Bulk Catalog | W1 | +0.75 9.0 -0.5 |
| C | Ref. Bulk Catalog | W2 | Under 3 |
| P | 12.7±1.0 | H | 20.5±0.75 |
| P0* | 12.7±0.3 | H0 | 16.0±0.50 |
| P1 | 3.85±0.7 | ℓ | Under 2 |
| d | 0.5/0.6 | D0 | 4.0±0.3 |
| F | 5.0 ^{+0.8} -0.2 | t | 0.7±0.2 |
| h | 0±2.0 | L | Under 11 |
| W | +1.0 18.0 -0.5 | | |

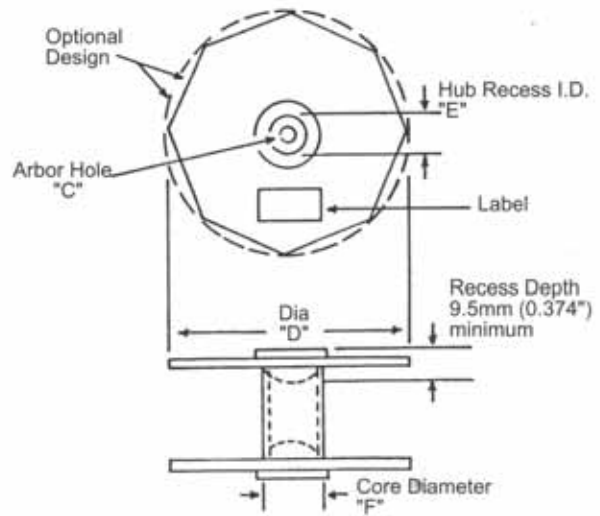
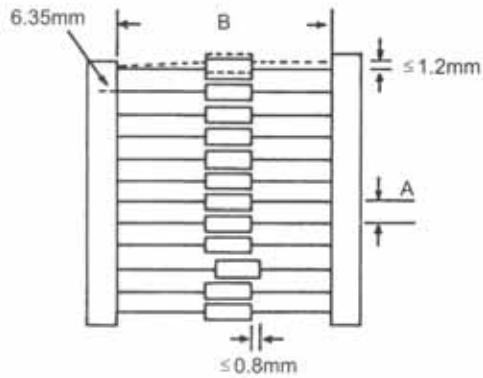
- Remark:**
- Allowance of accumulated pitch less than 1mm at sum of 20 pitches.
 - Continuous empty component less than 3 pcs.
 - Total empty on one reel less than 1%.

Packing Specifications

| Packing Type | Reel Packing | | Ammo Box Packing | |
|------------------------------|---|--------------------------------|---|--------------------------------|
| |  | |  | |
| Dimensions Unit: MM | A | 14~30 | A | 50 ⁺⁵ ₋₂ |
| | B | 80 MIN | B | 260+2 |
| | D | 370 MAX | C | 330±2 |
| | W1 | 45 ⁺⁵ ₋₂ | | |
| | W2 | 55 MAX | | |
| Packing Q'TY Per Reel/Box | C 0.018 1500PCS | C>0.018 1000PCS | C 0.022 1500PCS | C>0.022 1000PCS |
| | 0.022 | 0.022 | 0.047 | 0.047 |

LEAD TAPING & PACKING OF AXIAL CAPACITOR

EIA Standard RS-296-D



Reel Label Consists of:
 1. Component Type
 2. Electrical Values
 3. Manufacturer's Name
 4. Date
 5. Component Quantity

| Capacitor Body Diameter | Capacitor Pitch "A" $\pm 0.5\text{mm}$ (0.020") |
|--------------------------------------|---|
| $\geq 5\text{mm}$ ($\geq 0.197''$) | 5mm or 0.200" |
| 5.01-10mm (0.197-0.394") | 10mm or 0.400" |
| 10.01-15mm (0.394-0.591") | 15mm or 0.600" |

| Capacitor Body Length | Inside Tape Spacing "B" $\pm 1.5\text{mm}$ (0.059") |
|---|---|
| $\geq 16.50\text{mm}$ ($\geq 0.65''$) | 52.44mm or 2.062" |
| 16.51-28.45mm (0.651-1.12") | 63.5mm or 2.500" |
| 28.46-37.00mm (1.121-1.45") | 73.0mm or 2.874" |

| | C | D | E | F |
|----------|-------------------------|-------------------------|---------------------------|---------------------------|
| EIA Std. | 13.9-38.1mm(0.45-1.50") | 76.2-355.6mm(3.0-14.0") | 28.6-78.0mm(1.126-3.071") | 34.5-92.0mm(1.374-3.626") |
| RF Spec. | 14.50mm(0.570") | 381.0mm(15") | 54.2mm(2.130") | 61.0mm(2.401") |

| Capacitor Body Dia | Pitch | Quantity Pcs/Reel |
|---------------------|-------|-------------------|
| $\geq 5.0\text{mm}$ | 6mm | 4,000 max. |
| 5.1-7.0mm | 10mm | 2,000 max. |
| 7.1-9.5mm | 10mm | 1,000 max. |